

## Modifications Notices

Issue Date  
November 5, 2013

No. 2013186AE

Common Accessories

Information of change the factory code of the lot number by the changing factory for P2R series.

### [ Effective Date ]

Effective as of our production in April, 2014.

### [ Applicable Model ]

P2R series.

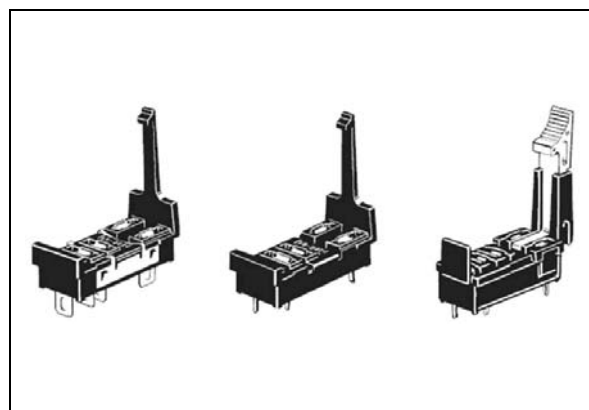
< Refer to the " [ Details of applicable model ] " . >

### [ Reason for change ]



Changing factory.

### [ Change of products specification ]

Unnecessary



### [ Changes ]

Before the change	After the change
<p>1) Packing case lot number. ****<u>C</u></p> <p>2) Products lot number. ****<u>C</u></p> 	<p>1) Packing case lot number. ****<u>EW</u></p> <p>2) Products lot number. ****<u>EW</u></p> 

**[ Details of applicable model ]**

<b>Models</b>
P2R-057P BY OMZ/C
P2R-05A BY OMZ/C
P2R-05P BY OMZ/C
P2R-08A BY OMZ/C
P2R-08P BY OMZ/C
P2R-057P BY OMZ
P2R-05A BY OMZ
P2R-05A-6002 BY OMZ
P2R-05P BY OMZ
P2R-05P-6000 BY OMZ
P2R-05P-SE BY CHINA
P2R-05P-SE BY OMZ
P2R-087P BY OMZ
P2R-08A BY OMZ
P2R-08A-6003 BY OMZ
P2R-08P BY OMZ
P2R-08P-6001 BY OMZ
P2R-057P(C)
P2R-05A FOR G2R
P2R-05P(C)
P2R-087P(C)
P2R-08A FOR G2R
P2R-08P(C)

Specifications in this product news are as of the issue date and are subject to change without notice.  
 Only main changes in specifications are described in this document. Please be sure to read the relevant catalogs, datasheets, product specifications, instructions, and manuals for precautions and necessary information when using products.